

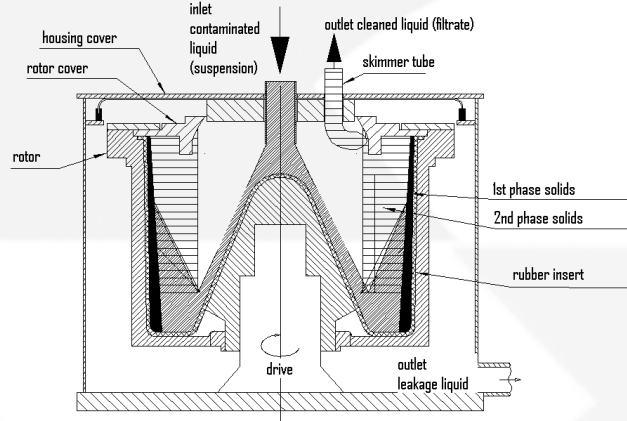


# Centrifuge MR 56

Full-jacket Centrifuge for the Separation of Solids from Liquids

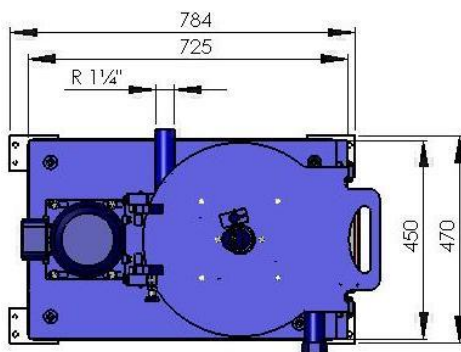


Centrifuge MR 56

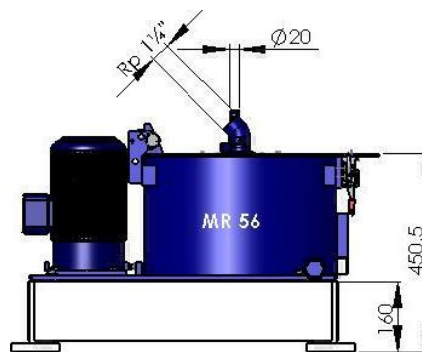


Operational Principle of MR 56

Technical Data	
continuous liquid throughput	max. 60 l/min. water/emulsion
rotor capacity	4,5 dm <sup>3</sup>
solids capacity	3,0 dm <sup>3</sup>
rotor speed	50 Hz 4.050 rpm
separating factor	2.255 g (g = gravity acceleration) 50 Hz / 2.395 g 60 Hz
drive	via poly-V belt
drive power	2,4 kW 50Hz / 60 Hz
solids discharge	manually
liquid return	by pressure on housing cover (via skimmer tube)
Remaining liquid	when the centrifuge is stopped pressureless drain on the side of housing
inlet tank	-
clean liquid tank	-
remarks/ other	optimum cleaning quality



View from above



Side view



Turbo-HKS GmbH  
 Robert-Gerwig-Strasse 25  
 78244 Gottmadingen  
 Germany  
 +49 (0) 7731 / 8801-0  
 +49 (0) 7731 / 8801-18  
 www.turbo-hks.com  
 info@turbo-hks.com