

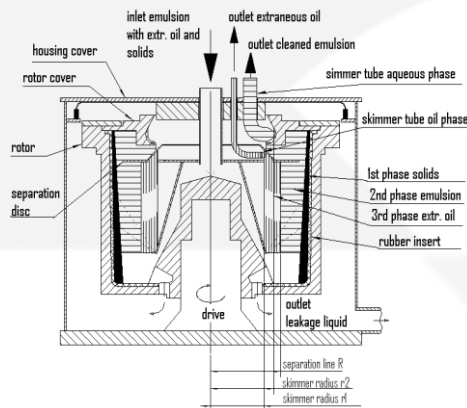


Centrifuge SMR 120

Full-jacket Centrifuge for Separation of Solids and Extraneous Oil from Aqueous Liquids

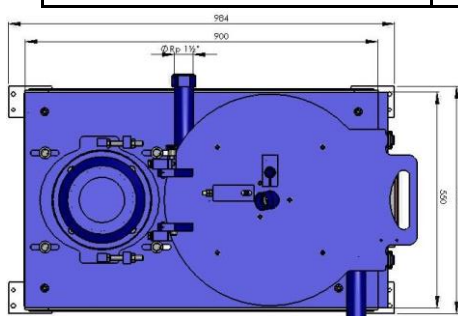


Cleaning System SMR 120-B 20 -0-2

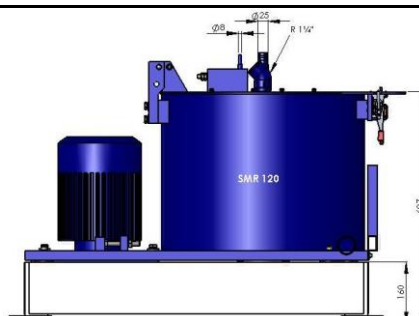


Operational Principle of SMR 120

Technical Data	
continuous liquid throughput	max. 120 l/min. water/emulsion in 2-phase operation max. 1200 l/h water/emulsion in 3-phase operation
rotor capacity	15 dm ³
solids capacity	10 dm ³
rotor speed	3.000 rpm
separating factor	1800 g (g = gravity acceleration)
drive	via poly-V belt
drive power	5,5 kW 50 Hz or 6,6 kW 60 Hz (with stainless steel rotor)
solids discharge	manually
liquid return	aqueous phase and oil phase under pressure on housing cover (skimmer tubes, for oil phase adjustable)
Remaining liquid	When the centrifuge is stopped pressureless drain on the side of housing.
inlet tank	-
clean liquid tank	-
remarks/ other	solids and extraneous oil separation in one operation



View from above



Side view



Turbo-HKS GmbH
 Robert-Gerwig-Strasse 25
 78244 Gottmadingen
 Germany
 +49 (0) 7731 / 8801-0
 +49 (0) 7731 / 8801-18
 www.turbo-hks.com
 info@turbo-hks.com